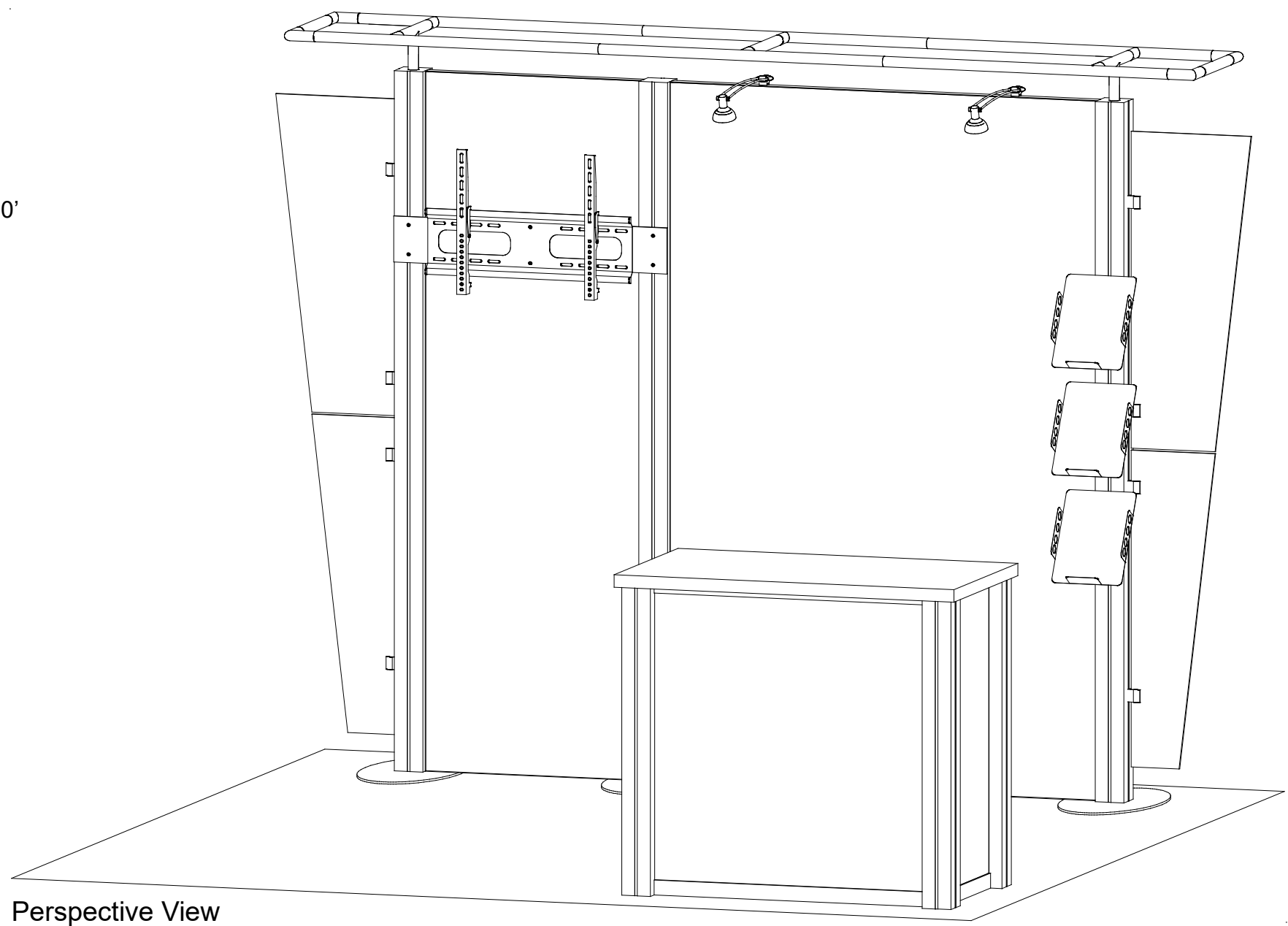


Top View



Perspective View

# **SETUP INSTRUCTIONS**

## General Setup Instructions

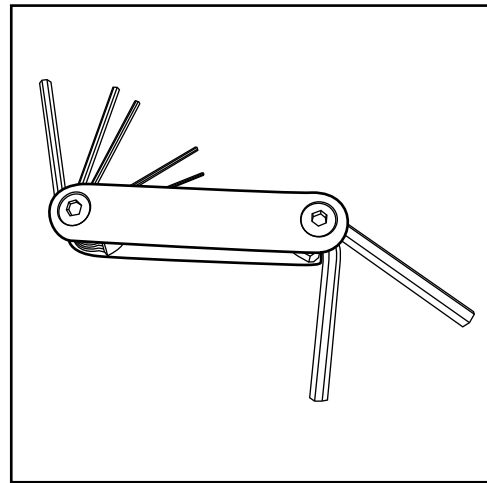
- Read entire setup instruction manual prior to unpacking parts and pieces.
- The setup instructions are created specifically for this configuration.
- Setup instructions are laid out sequentially in steps, including exploded views with detailed explanation for assembly.

## Cleaning & Packing

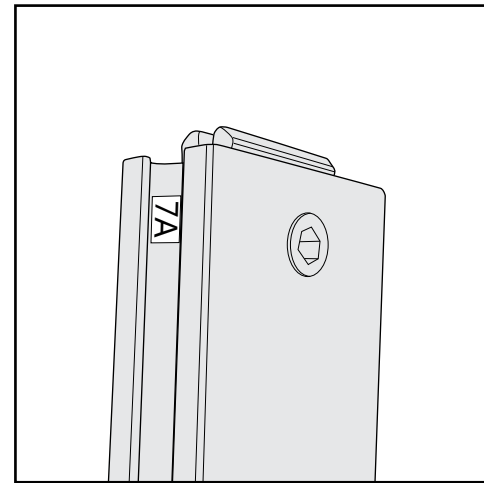
- For Cleaning Metal, Plex, & Laminate Parts: Use a **MILD NON-ABRASIVE** cleanser and soft cloth/paper towel to clean all surfaces.
- Keep exhibit components away from heat and prolonged sun exposure. **Heat and UV exposure will warp and fade components.**
- Retain all provided Packing Materials. All provided packing materials are for ease of repacking & component protection.

## Disassembly

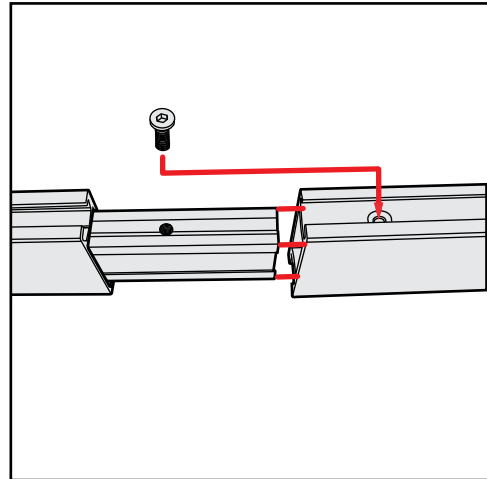
- For loss prevention, tighten all set screws and locks during disassembly.



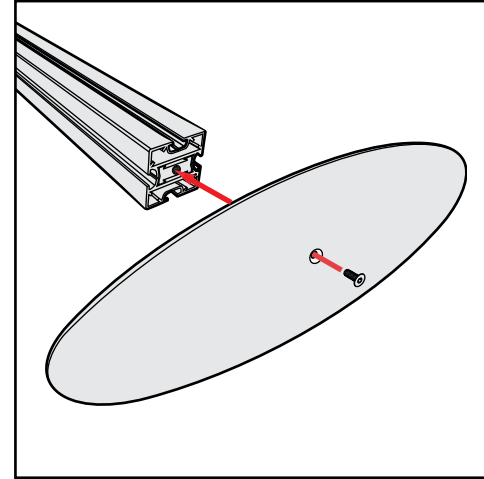
Hex Tool - Essential for Assembly



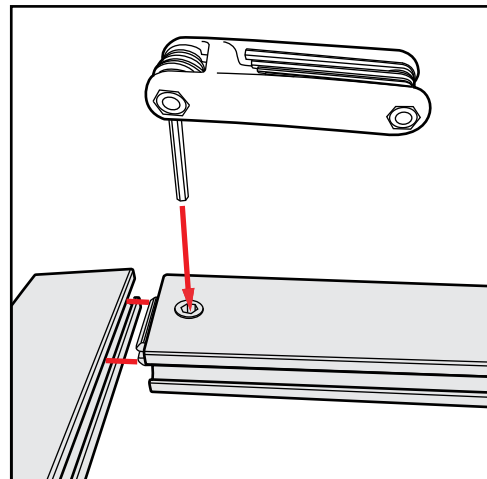
Part Identification - Numbering



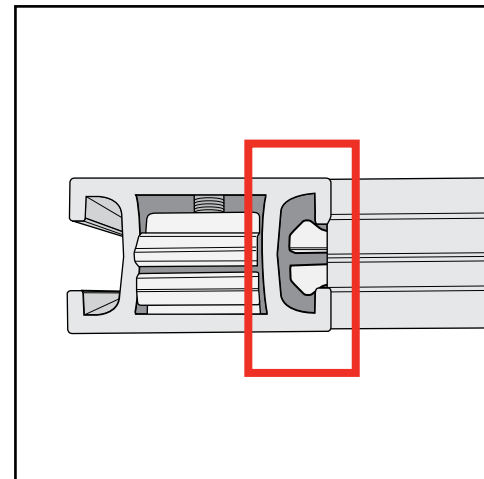
Spline Connection



Base Plate & Extrusion Connection



Extrusion & Lock Connection



Engaged Lock



**WARNING**



DO NOT USE POWER TOOLS



LADDERS OR LIFTS  
MAY BE REQUIRED

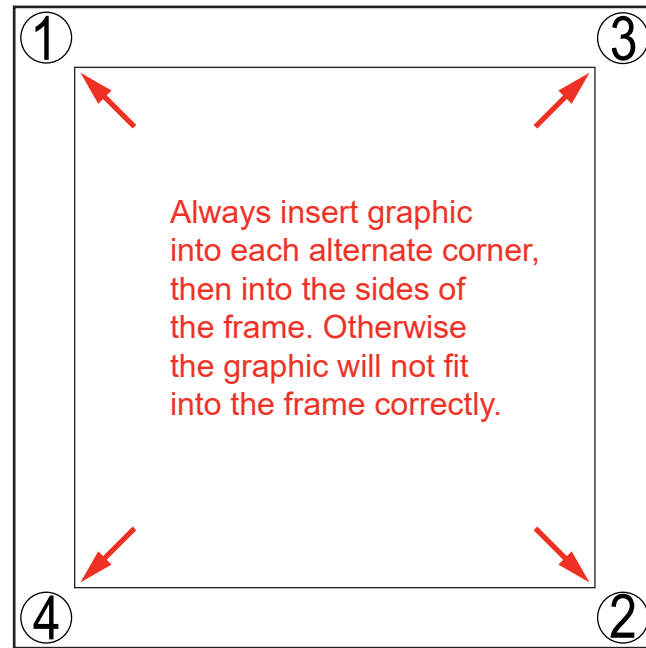


ALL CONNECTIONS MUST  
BE TIGHTLY SECURED

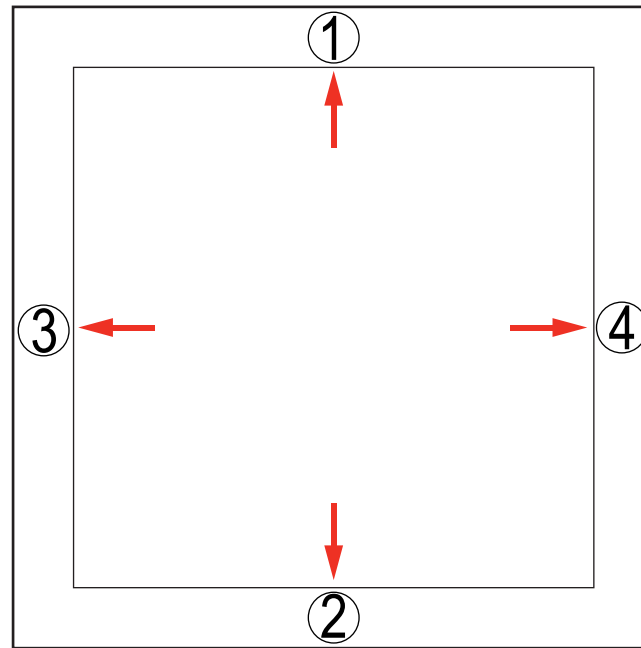
*The Perfect Fit*

# SEG Graphic Installation *in 3 Steps*

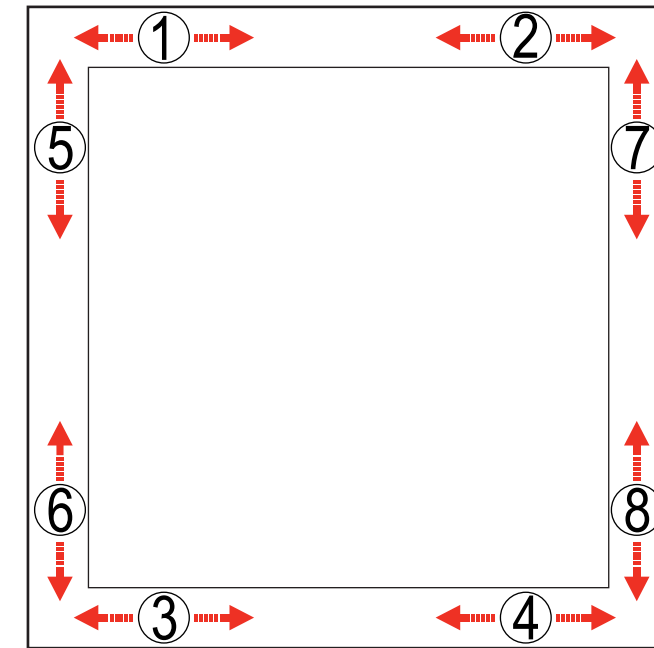
## STEP 1: Attach Corners



## STEP 2: Attach Middle



## STEP 3: Attach Sides



Insert narrow side of silicone welt into the channel at corner 1, with fabric to the outside.

Repeat for opposite corner 2, then corner 3, then corner 4.

Once corners are attached, press the middle of edge 1 into the channel. Then press middle of edge 2 into the channel on opposite side.

Repeat with edge 3 & 4.

Once the middle of sides are attached, fully press the silicone welt into the channel, between center and corner at location 1. Repeat the process between center and corner at location 2.

Do the same for welt on opposite side, at locations 3 & 4. Then repeat for locations 5 & 6 and 7 & 8.

Once the welt is fully inserted on all sides, smooth out edges as needed for a perfect fit.



To remove the graphic from the frame, locate the fabric **pull tab**. Gently pull on the tab to remove the graphic.

Install video:

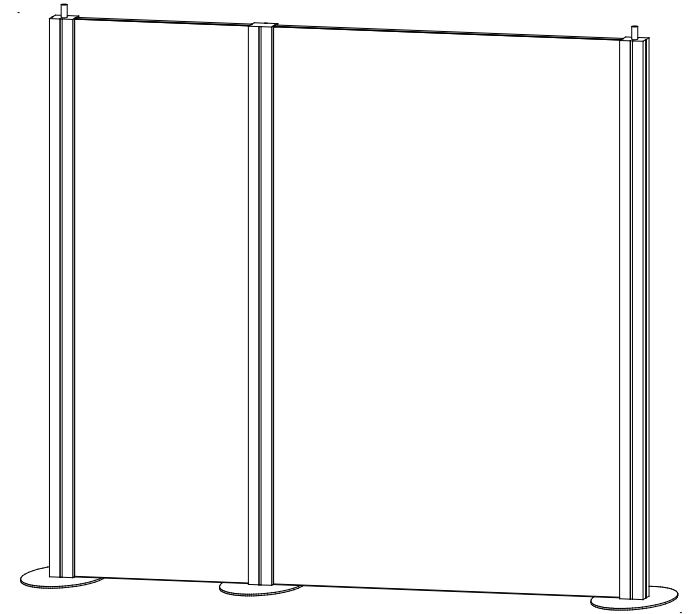
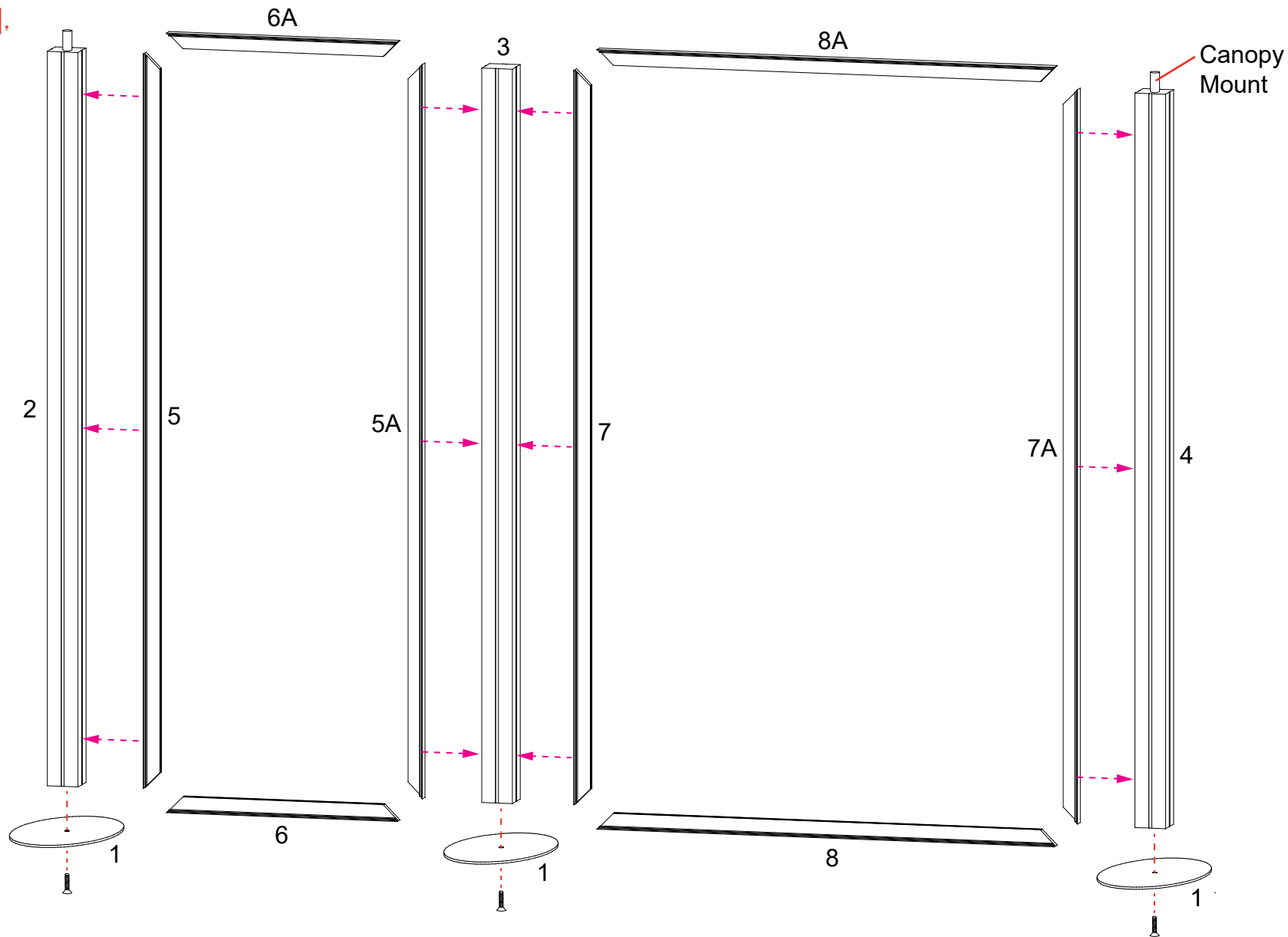


Item	Qty.	Description
1	3	Base Plate
2	1	84" Q914 Vertical Extrusion w/ canopy mount
3	1	84" Q914 Vertical Extrusion
4	1	84" Q914 Vertical Extrusion w/ canopy mount
5,5A	1,1	84" TSP46 Vertical Extrusion
6,6A	1,1	27" TSP46 Horizontal Extrusion
7,7A	1,1	84" TSP46 Vertical Extrusion
8,8A	1,1	53.5" TSP46 Horizontal Extrusion

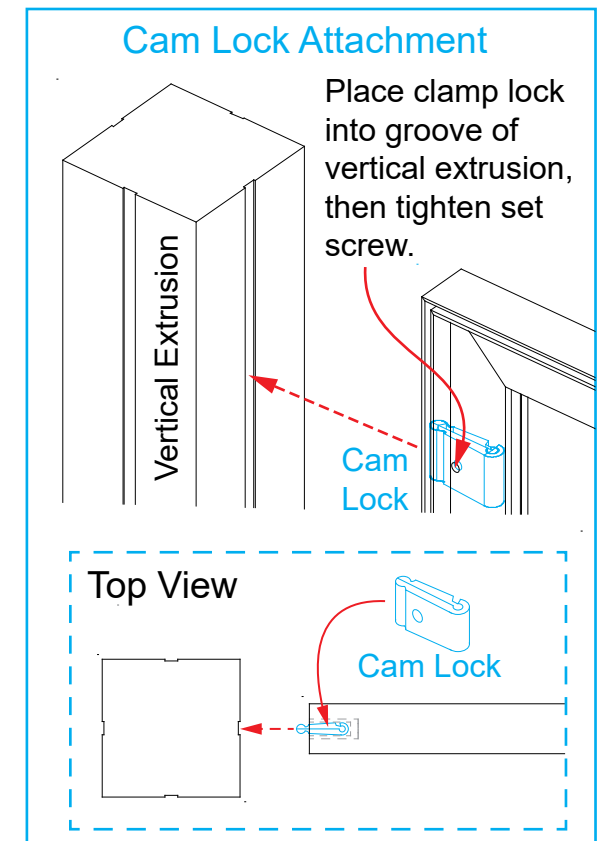
**Steps:**

- 1) Attach base plates [1] to verticals [2] [3] and [4].
- 2) Attach verticals [5 to 2] [5A to 3] [7 to 3] and [7A to 4].  
See [Cam Lock Attachment](#) detail.
- 3) Attach assemblies [2/5] and [3/5A] together, using horizontals [6] and [6A].
- 4) Attach assemblies [3/7] and [4/7A] together, using horizontals [8] and [8A].
- 5) Install SEG graphic to assembled frames. See SEG Installation sheet.

Keep canopy mounts and clamps attached to [2] and [4].



Completed Assembly



# AERO

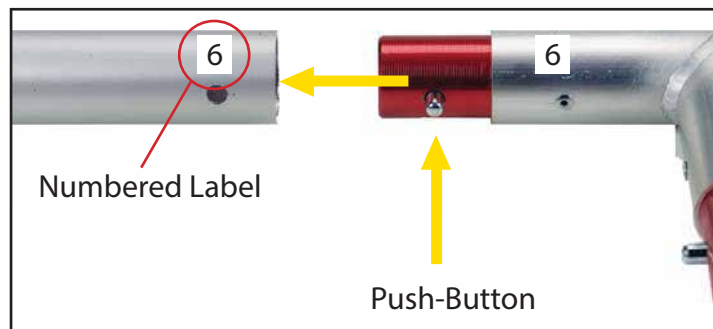
## Using Your Setup Instructions

The Aero Setup Instructions are created specifically for your configuration. The instructions include an exploded view of the frame which is sequentially labeled. We encourage you to review the instructions before attempting to assemble your exhibit.

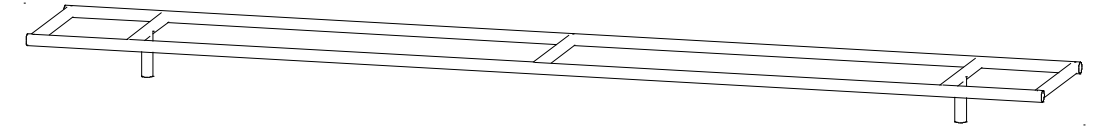
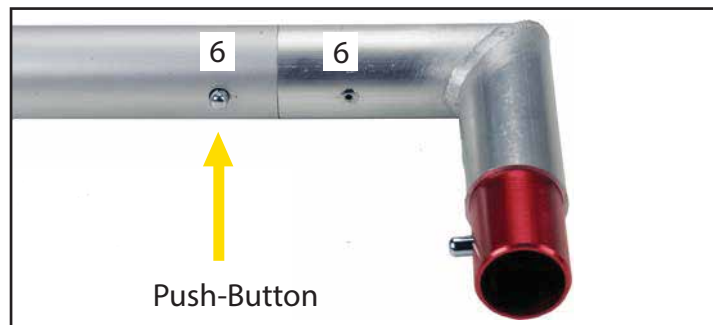
Connections are kept very simple; no tools required. Everything assembles with push-button connectors.

## Cleaning and Packing Your Display

- 1) Use care when cleaning aluminum extrusion or acrylic inserts. Use only non-abrasive cleaners.
- 2) Retain all packing material. It will make re-packing much easier and will reduce the likelihood of shipping damage.



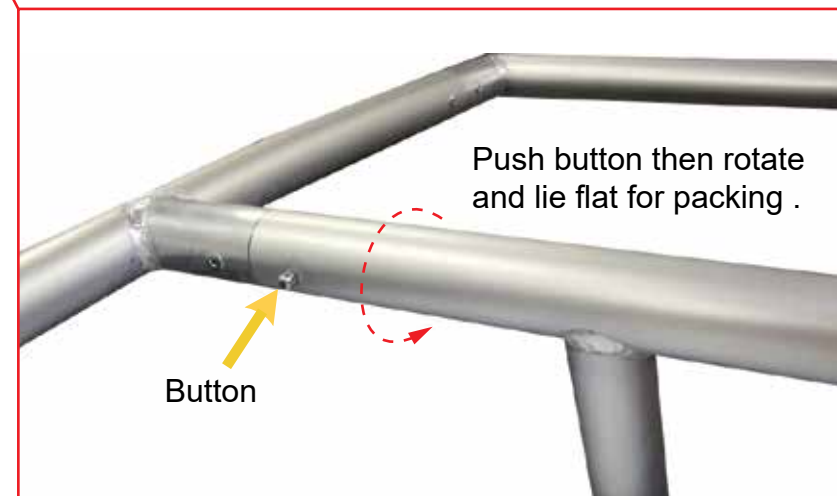
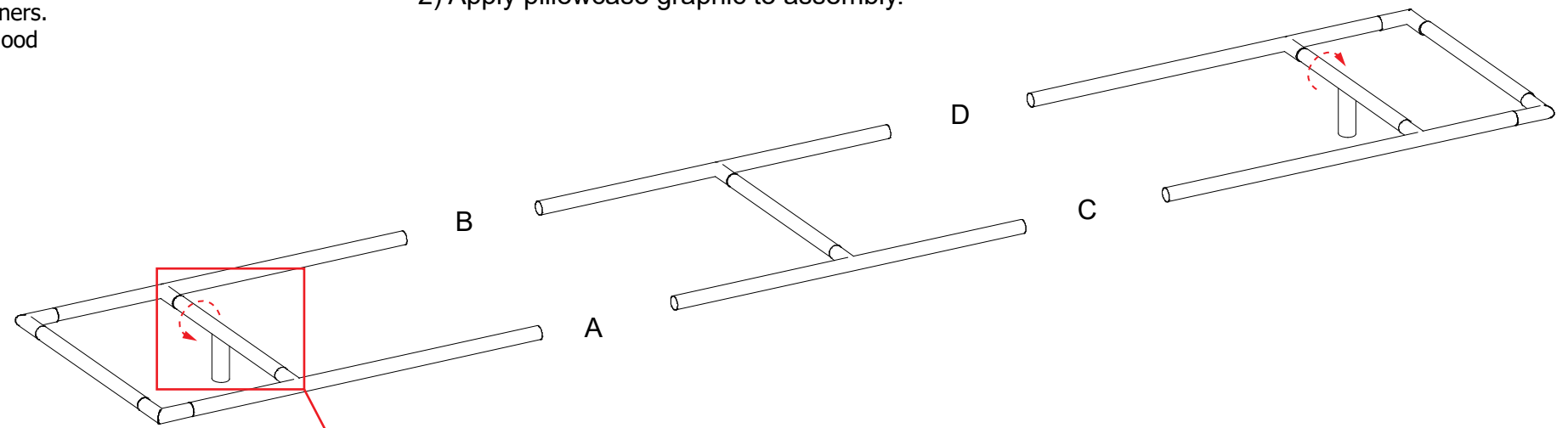
Connections are made by holding the button down and sliding the red tube into opposing tube until button locks into the hole. To disassemble, push button and pull or twist extrusions apart.



Completed Assembly

## Steps:

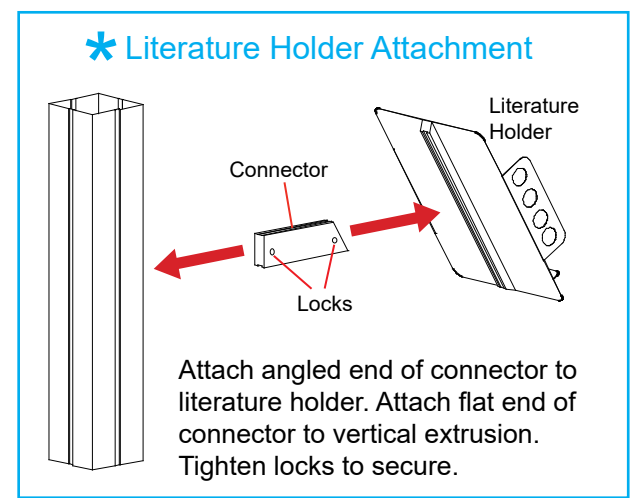
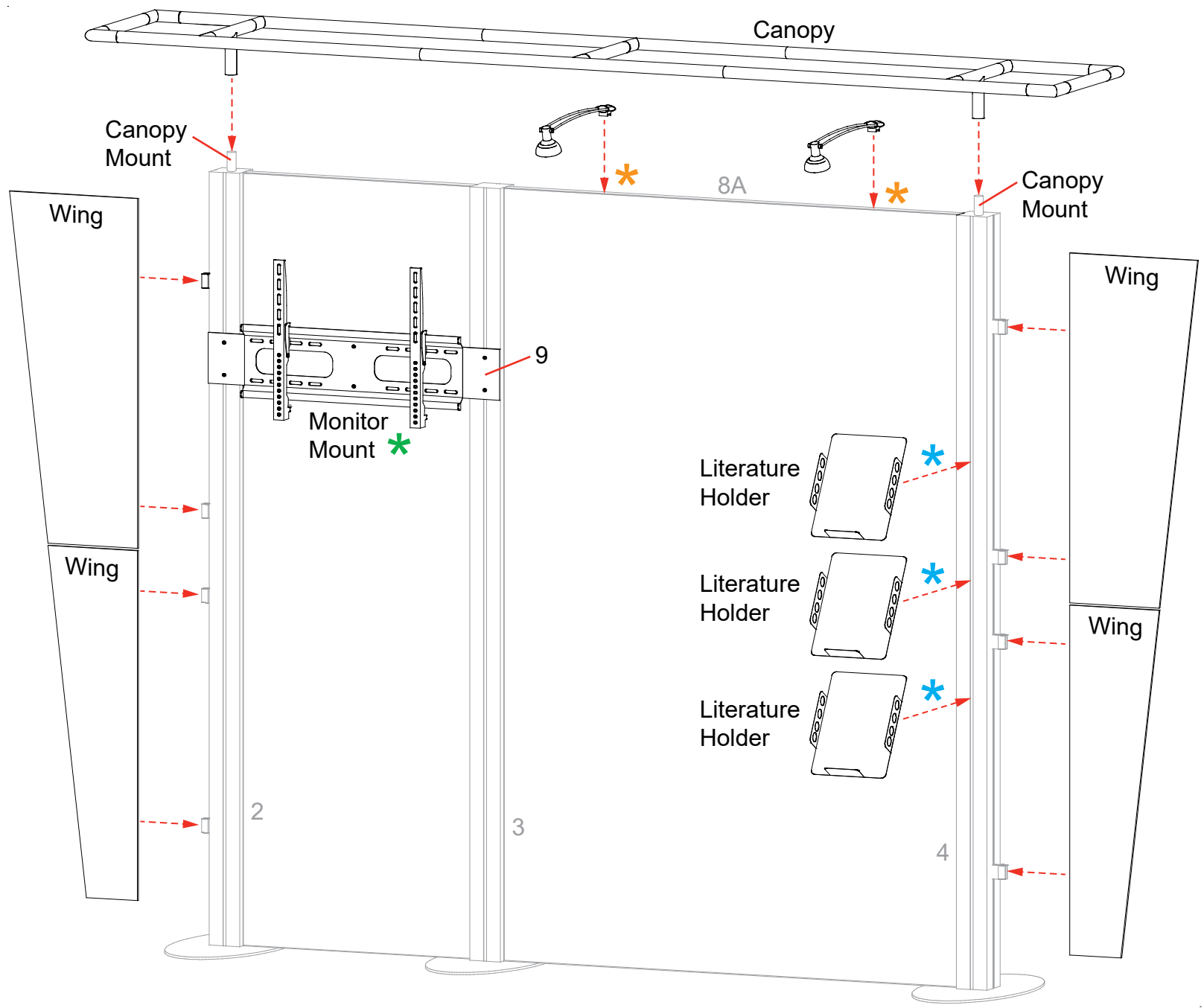
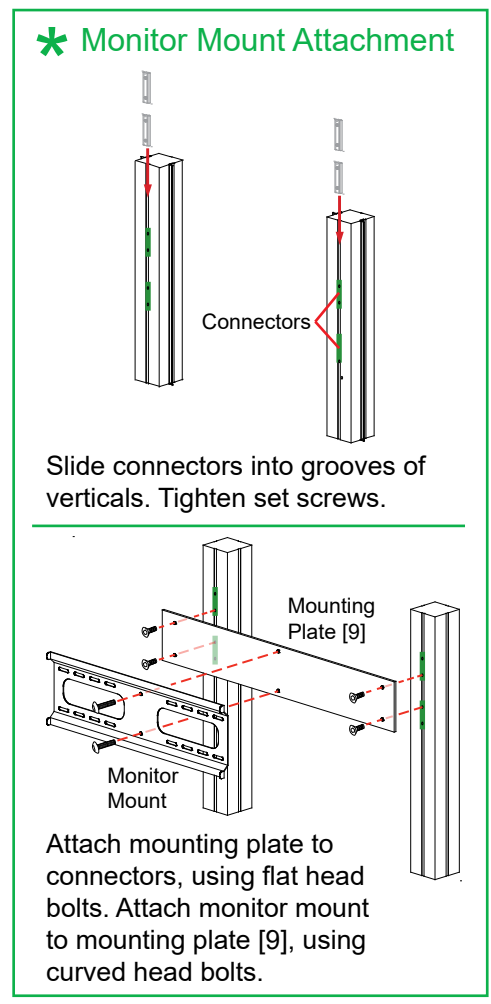
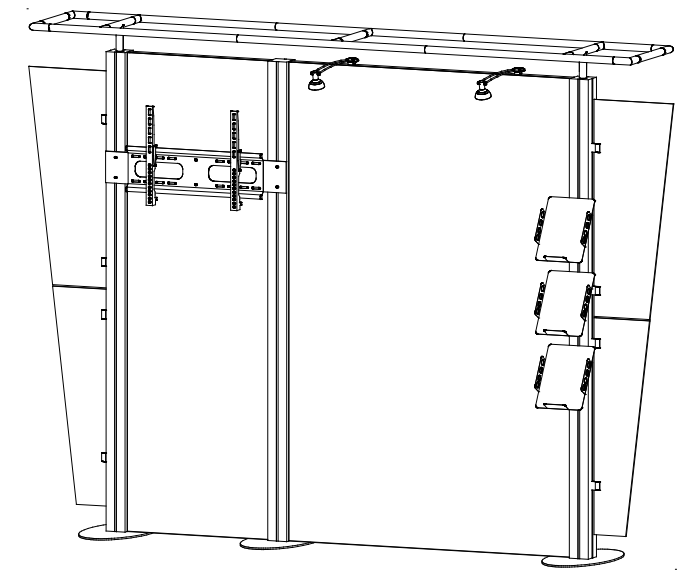
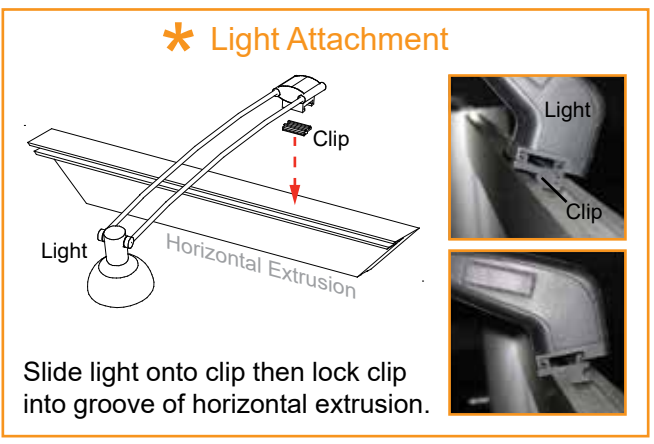
- 1) Assemble canopy pieces in alphabetical order.
- 2) Apply pillowcase graphic to assembly.



Item	Qty.	Description
9	1	Mounting Plate

- Steps:
- 1) Attach lights to [8A]. See **Light Attachment** detail.
  - 2) Place assembled canopy onto canopy mounts.
  - 3) Attach wings to clamps.
  - 4) Attach monitor mount to [2] and [3]. See **Monitor Mount Attachment** detail.
  - 5) Attach literature holders to [4]. See **Literature Holder Attachment** detail.

Keep canopy mounts and clamps attached to [2] and [4].

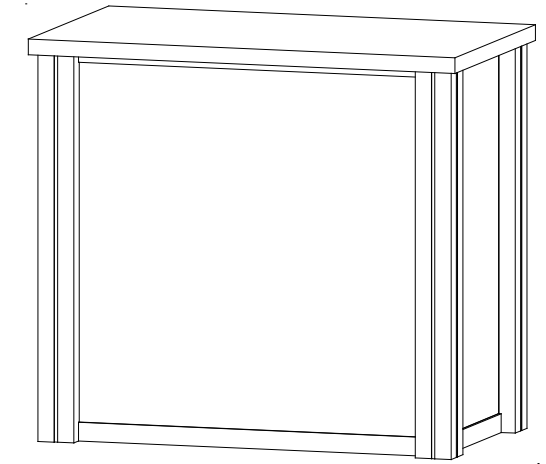




Item	Qty.	Description
1	1	38" Q914 Vertical Extrusion w/ Door Stop
2	1	38" Q914 Vertical Extrusion
3	1	38" Q914 Vertical Extrusion
4	1	38" Q914 Vertical Extrusion w/ Door Hinges
5,5A	1,1	34" Z45 Horizontal Extrusion
6,6A	1,1	16" Z45 Horizontal Extrusion

**Steps:**

- 1) Attach horizontals [5] and [6] between verticals [1] [2] [3] and [4], as shown.
- 2) Slide infills between [1][2], [2][5], and [4][5], making sure Velcro is facing inward.
- 3) Attach horizontals [5A] and [6A] between verticals [1] [2] [3] and [4], as shown.
- 4) Connect door to vertical [4]. See **Door Connection** detail.
- 5) Connect shelf supports to Velcro on infills.
- 6) Place shelf onto shelf supports.
- 7) Lock counter top to horizontals [6A]. See **Counter Top Lock** detail.



**Completed Assembly**

